

## Ku-band PLL LNB [External reference type]

**MODEL NO. NJR2637E / EN**

**MODEL NO. NJR2639E / EN**

**MODEL NO. NJR2633E / EN**

**MODEL NO. NJR2535E / EN**

**MODEL NO. NJR2634E / EN**

**MODEL NO. NJR2636E / EN**



### < Features >

- \* Low Noise Figure
- \* RoHS Compliance

### < Line-Up >

| Model No.  | RF Frequency       | Local Frequency | Local Stability<br>[-40 to +60 C]   | IF Frequency     | IF Connector |
|------------|--------------------|-----------------|-------------------------------------|------------------|--------------|
| NJR2637E   | 10.95 to 11.70 GHz | 10.00 GHz       | Depends on<br>External<br>Reference | 950 to 1,700 MHz | F-type       |
| NJR2637EN0 |                    |                 |                                     |                  | N-type       |
| NJR2639E   | 11.20 to 11.70 GHz | 10.25 GHz       |                                     | 950 to 1,450 MHz | F-type       |
| NJR2639EN0 |                    |                 |                                     |                  | N-type       |
| NJR2633E   | 11.45 to 11.95 GHz | 10.50 GHz       |                                     | 950 to 1,450 MHz | F-type       |
| NJR2633EN0 |                    |                 |                                     |                  | N-type       |
| NJR2635E   | 11.70 to 12.20 GHz | 10.75 GHz       |                                     | 950 to 1,450 MHz | F-type       |
| NJR2635EN0 |                    |                 |                                     |                  | N-type       |
| NJR2634E   | 12.20 to 12.75 GHz | 11.25 GHz       |                                     | 950 to 1,500 MHz | F-type       |
| NJR2634EN0 |                    |                 |                                     |                  | N-type       |
| NJR2636E   | 12.25 to 12.75 GHz | 11.30 GHz       |                                     | 950 to 1,450 MHz | F-type       |
| NJR2636EN0 |                    |                 |                                     |                  | N-type       |

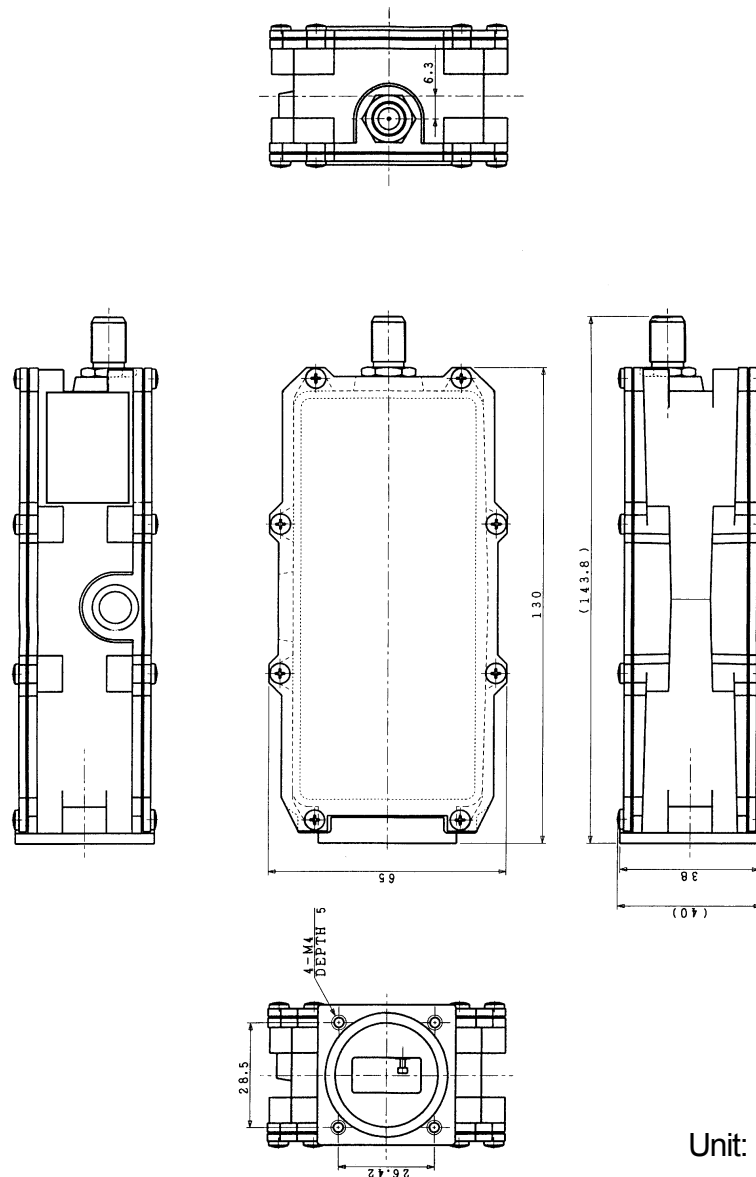
### < Specifications >

| Item                               | Specifications   |
|------------------------------------|--|
| Input Interface                    | WR-75  |
| Output Interface                   | F-type, female (75 ohm)<br>[Model No. NJR2637E / 39E / 33E / 35E / 34E / 36E]<br>N-type, female (50 ohm)<br>[Model No. NJR2637EN0 / 39EN0 / 33EN0 / 35EN0 / 34EN0 / 36EN0] |
| Noise Figure                       | 0.8 dB to 1.0 dB   |
| Conversion Gain (at 25C)           | 60 dB max. (Selectable: 50 to 60 dB)   |
| Conversion Gain Variation (at 25C) | 2 dB p-p max. In any 50 MHz segment over the frequency band  |
| Phase Noise (SSB)                  | -70 dBc/Hz @ 100 Hz<br>-80 dBc/Hz @ 1 kHz<br>-90 dBc/Hz @ 10 kHz<br>-110 dBc/Hz @ 100 kHz  |

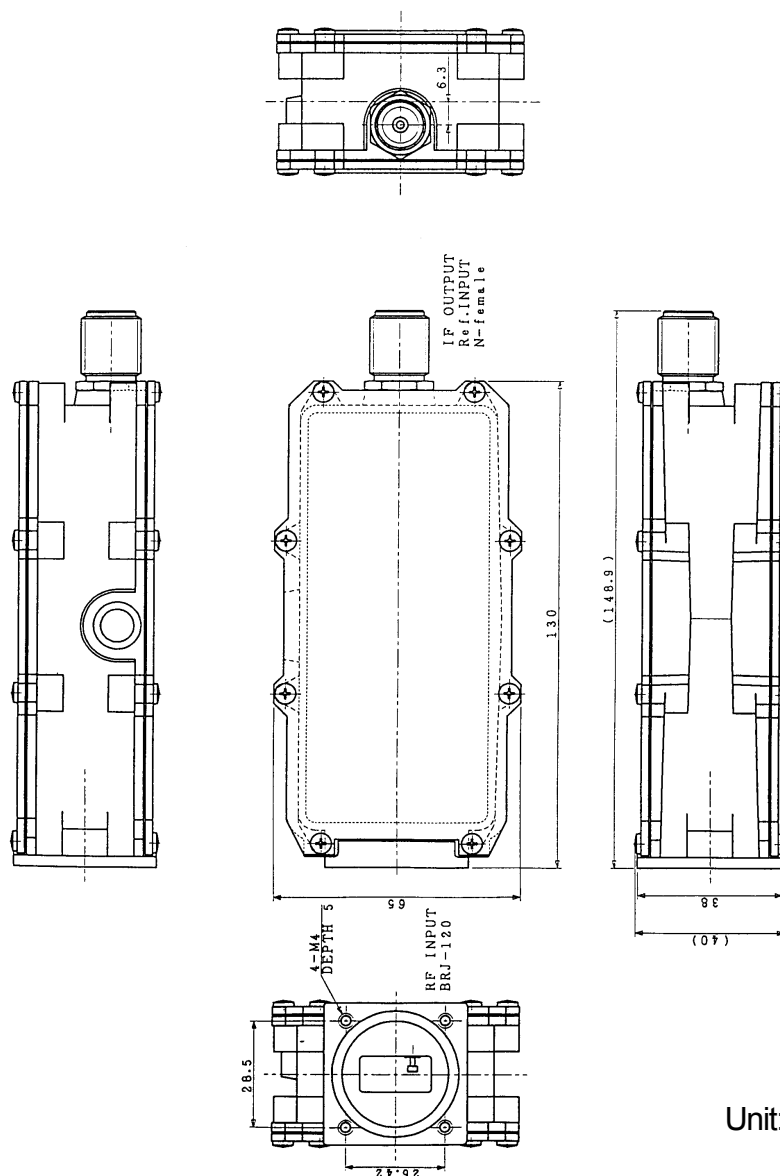
| Item                  | Specifications  |
|-----------------------|---|
| Spurious              | -140 dBm max.<br>At input, fixed frequency spurious, unrelated to test CW signal.<br>-50 dBc max.<br>With test CW signal -10 dBm IF output (measured specified IF band) |
| Power Requirement     | +15 to +24 V dc   |
| Operating Current     | 380 mA  |
| Operating Temperature | -40 to +60 degrees C  |
| Storage Temperature   | -40 to +80 degrees C  |
| Size                  | 143.8 mm (L) x 65 mm (W) x 40 mm (H)<br>[5.66" (L) x 2.56" (W) x 1.57" (H)]   |
| Weight                | 450 g max. [0.99 lbs]   |

<Outline Drawing>

<F-connector Type: NJR2633E / 34E / 35E / 36E / 37E / 39E>



<N-connector Type: NJR2633EN0 / 34EN0 / 35EN0 / 36EN0 / 37EN0 / 39EN0>



Unit: mm

**JRC** *New Japan Radio Co., Ltd.*

Microwave Components Division  
 1-1, Fukuoka 2-Chome, Fujimino-City  
 SAITAMA, 356-8510 JAPAN  
 E-mail : mcsales@njr.co.jp  
 Phone : +81-49-278-1270  
 FAX : +81-49-278-1234  
<http://www.njr.co.jp>

Copyright © 2006 New Japan Radio Co., Ltd.

Rev.01 Ku PLL LNB\_NJR2635\_36\_37\_39\_E\_ENO