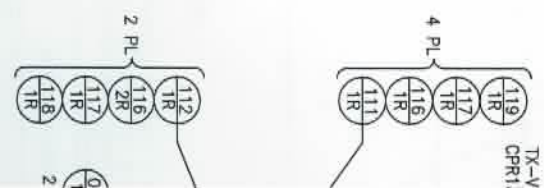
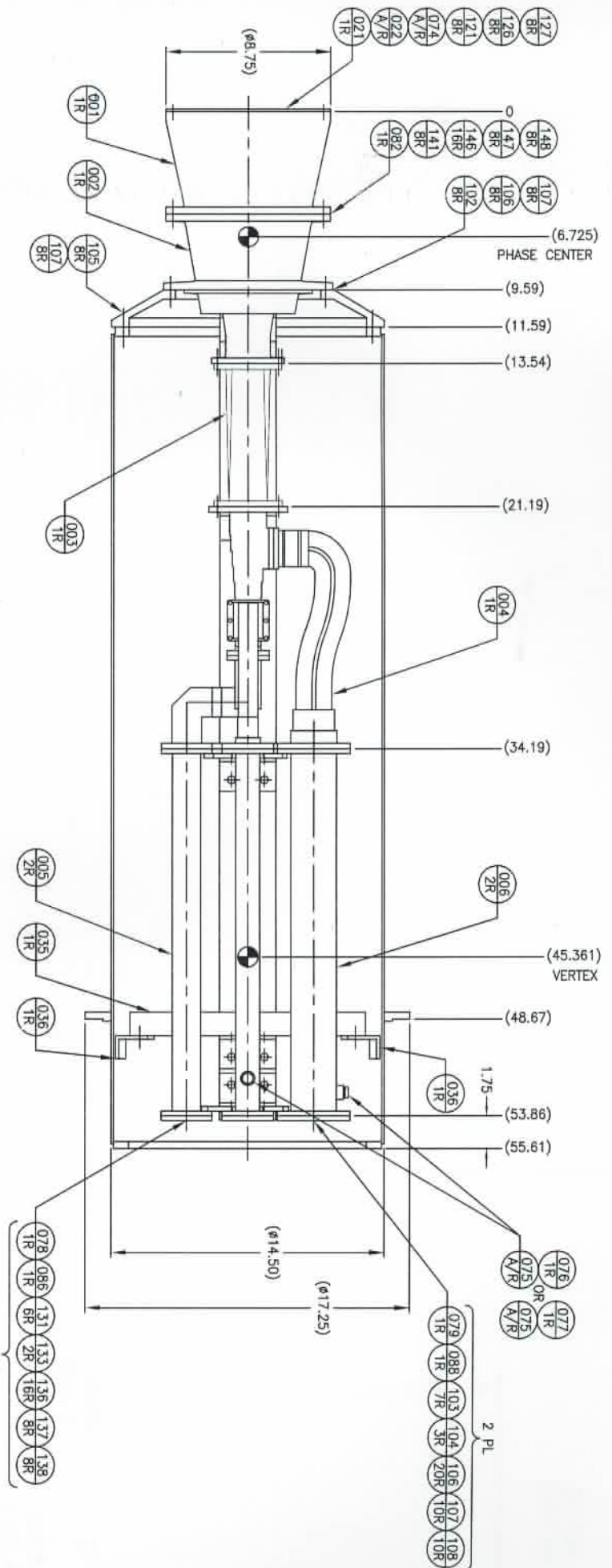
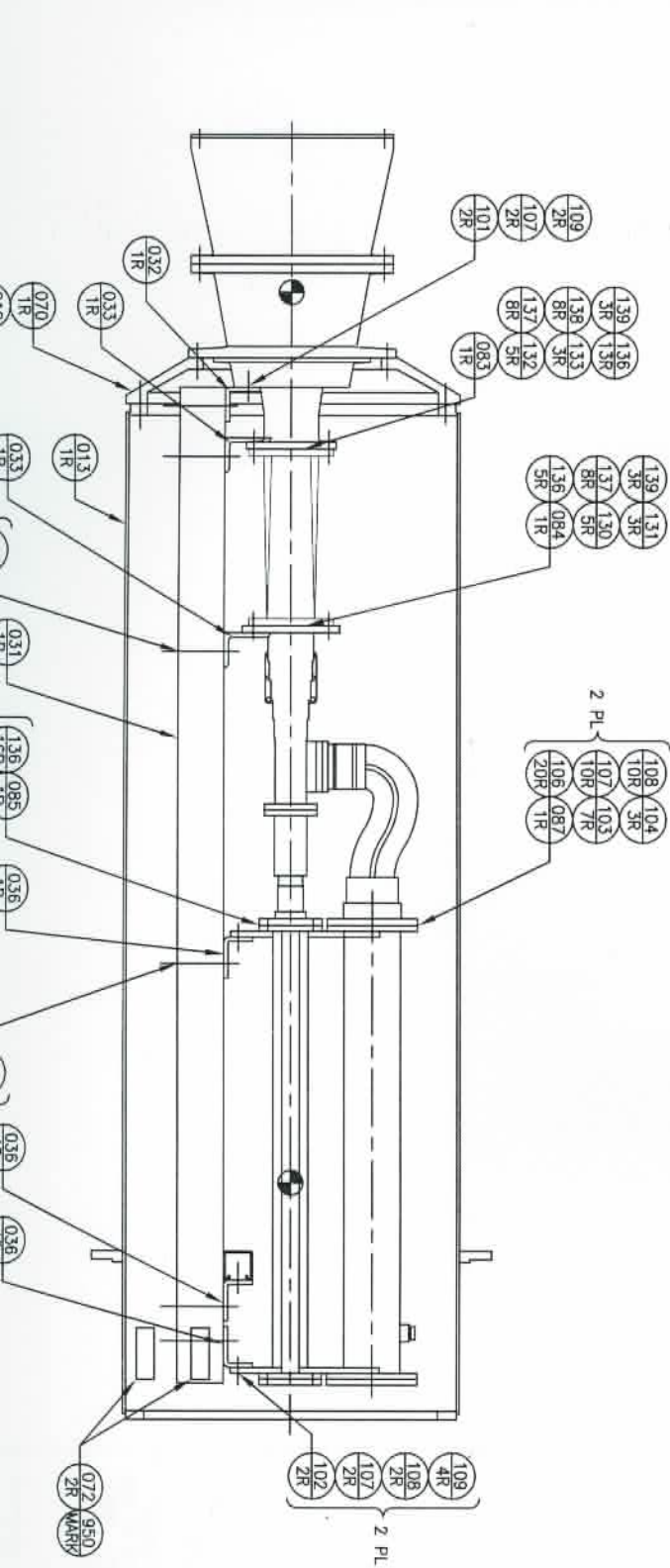
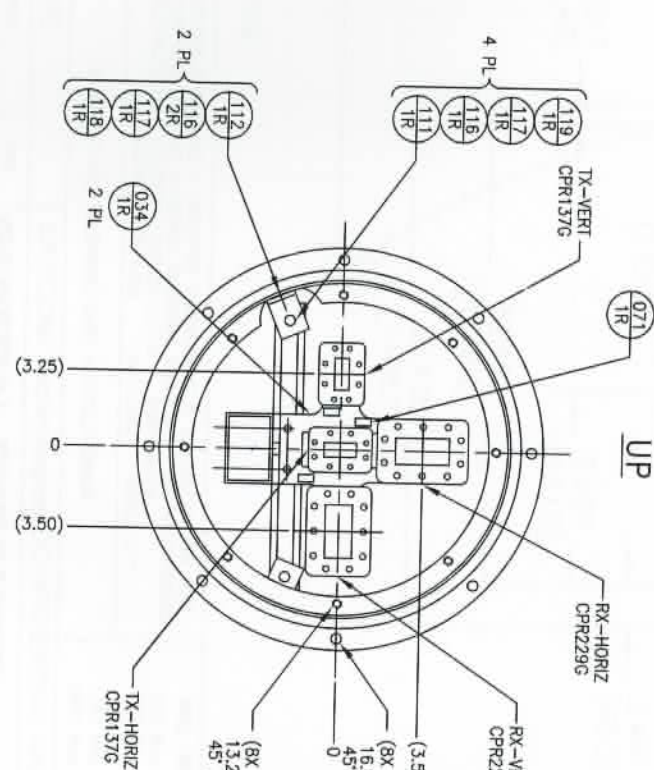
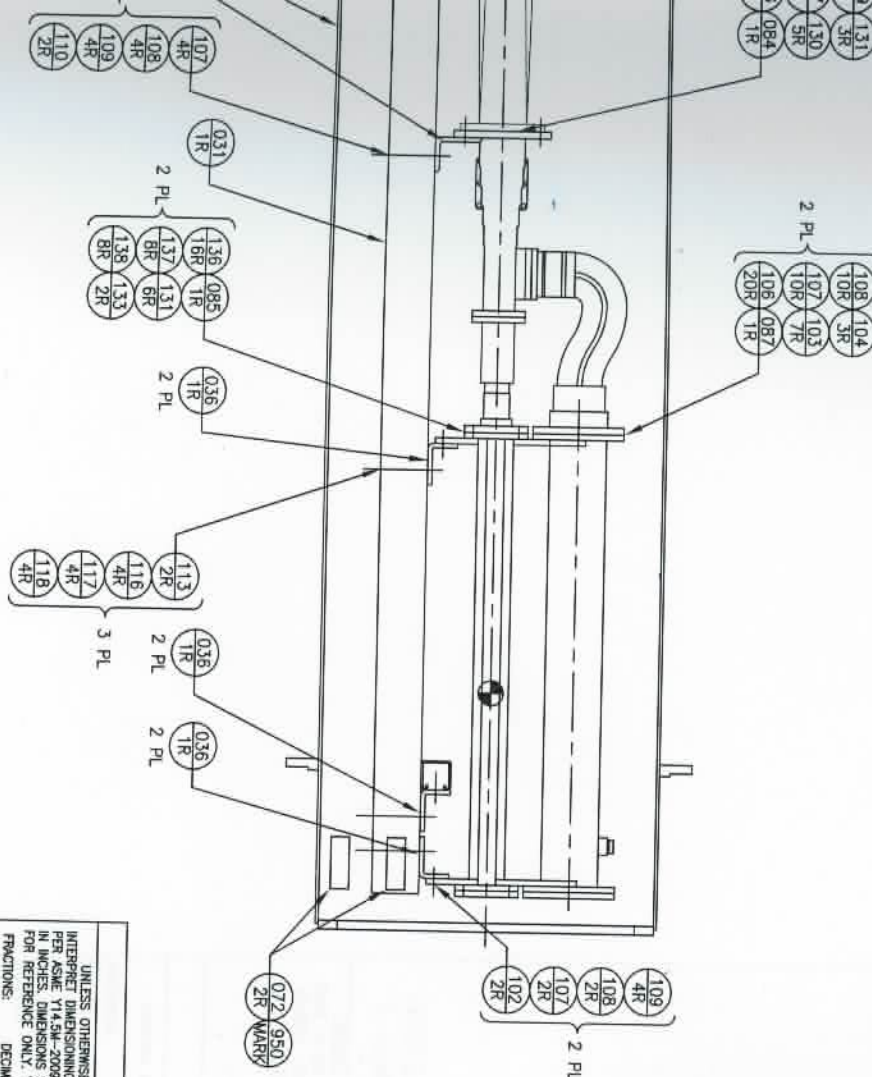
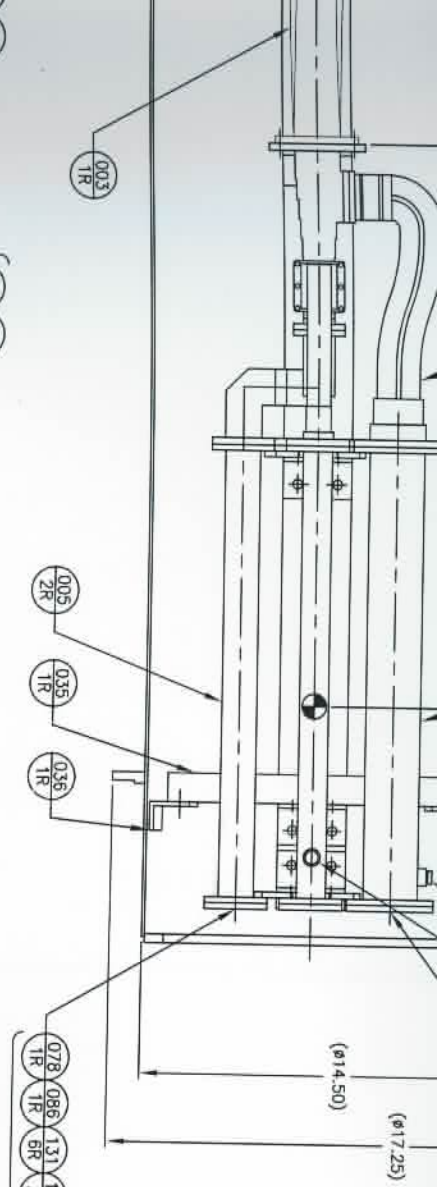


DO NOT SCALE DRAWING

UNLESS OTHERWISE SPECIFIED:
 INTERPRET DIMENSIONS & TOLERANCES PER ASME Y14.5M-2009. DIMENSIONS ARE IN INCHES. DIMENSIONS SHOWN IN () ARE FOR REFERENCE ONLY. TOLERANCES ARE:
 DECIMALS: ANGLES:
 FRACTIONS: $\pm 1/8$.XXX $\pm .005$
 ASST'S $\pm 1/16$.XX $\pm .03$
 COMMERCIAL TOLERANCES TO STOCK SIZES APPLY.
 PART TO BE FREE OF BURRS & SWARP EDGES.
 CLEARANCE:
 HOLE: $.013$ to $.125$ $+$.005 / $-$.001
 TOL. (H11)
 DRILL HOLE TOLERANCE (G/H11)
 HOLE: $.126$ to $.250$ $+$.007 / $-$.003
 TOL. (H7)
 HOLE: $.251$ to $.750$ $+$.009 / $-$.003
 TOL. (H7)

REVISION	DATE	DESCRIPTION	APPROVALS	DATE
1		INITIAL CONTROL WARNING-- the disclosure of this document or its contents to non-US persons, or the transmission of its contents outside the United States must be in compliance with US export control laws and regulations. The user of this document is under obligation to know the applicable restrictions for the dissemination of its contents that relate to US Export Laws	DESIGN D.L. C	
2			DESIGN D.L. C	
3			DESIGN D.L. C	
4			DESIGN D.L. C	
5			DESIGN D.L. C	
6			DESIGN D.L. C	
7			DESIGN D.L. C	
8			DESIGN D.L. C	
9			DESIGN D.L. C	
10			DESIGN D.L. C	
11			DESIGN D.L. C	
12			DESIGN D.L. C	
13			DESIGN D.L. C	
14			DESIGN D.L. C	
15			DESIGN D.L. C	
16			DESIGN D.L. C	
17			DESIGN D.L. C	
18			DESIGN D.L. C	
19			DESIGN D.L. C	
20			DESIGN D.L. C	





DO NOT SCALE DRAWING

UNLESS OTHERWISE SPECIFIED, INTERPRET DIMENSIONS & TOLERANCES PER ASME Y14.5M-2009. DIMENSIONS ARE IN INCHES. DIMENSIONS SHOWN IN PARENTHESES ARE TOLERANCES. ANGLES ARE FOR REFERENCE ONLY. TOLERANCES ARE FRACTIONS. DECIMALS: ANGLES: DETAILS ± 1/8 .XX ± .03 ASSYS ± 1/8 .XX ± .05 COMMERCIAL TOLERANCES TO STOCK SIZES APPLY. PART TO BE FREE OF BURRS & SHARP EDGES.

DRILL HOLE TOLERANCE (DRILL) CLEARANCE HOLE TOLERANCE (CH) ± .015 to ± .005/- .001 ± .007/- .003 ± .009/- .004 ± .012/- .005 ± .0125/- .0000

MECHANICAL	ADDITIONAL APPROVALS	DATE
STRUCTURAL		
ELECTRICAL		

APPROVALS	DATE
DESIGN: T. ADAR	09/22/10
CHECKED: D. KEDDIN	09/23/10
DESIGNER:	
MANUFACTURING:	
R. DAVIS	09/27/10
PROJECT:	
D. CRIM	09/27/10
PRODUCT MGR:	
D. CRIM	09/27/10
DESIGN:	

SATCOM Technologies CONFIDENTIAL ANTI

GENERAL DYNAMICS 2800 N. KILGORE.

FEED 4.8 C-BND FR

RX 3.625-4.20 TX 5.85

MOD C48KDFRL

SCALE: 1/4

SIZE: D

QWP NO.: 053266

CONTRACT NO.: SE286

EA - EST. WEIGHT -

