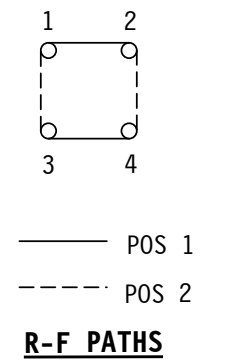
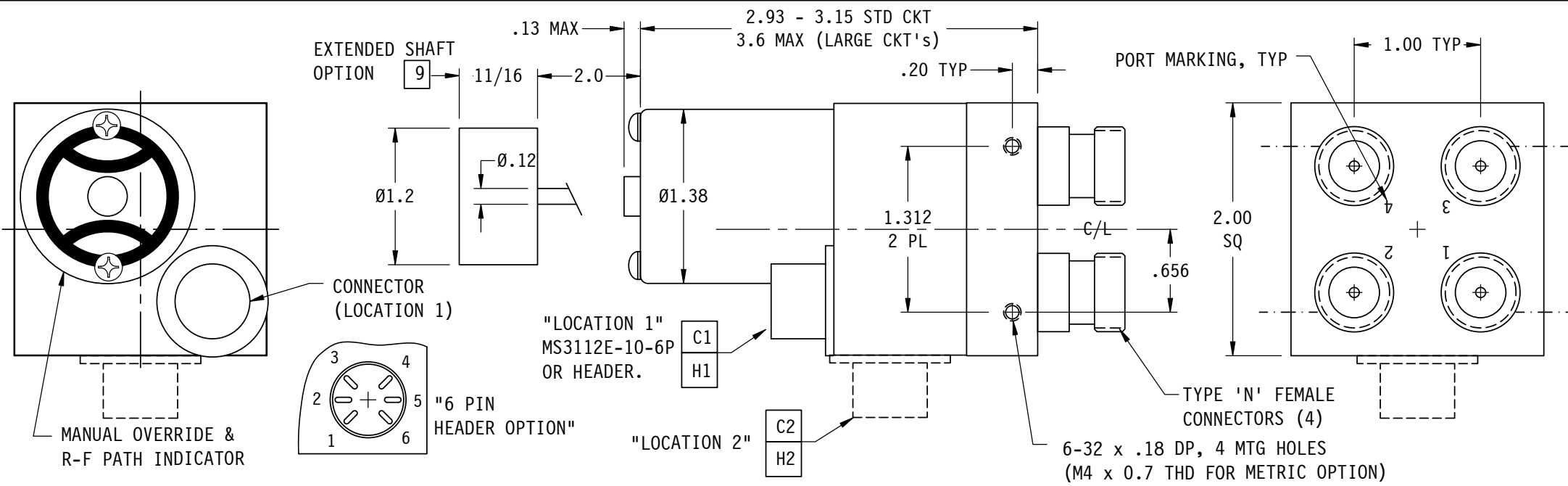


SM7N-xxx SERIES



PART NO. SELECTION

VOLTAGE	AMPS	CODE
+22 TO +32	0.9	A
-22 TO -32	0.9	B
+10 TO +14	1.5	C
-10 TO -14	1.5	D
+44 TO +54	0.5	E
-44 TO -54	0.5	F
117VAC	1.2	H
235VAC	0.5	K
MANUAL **		M

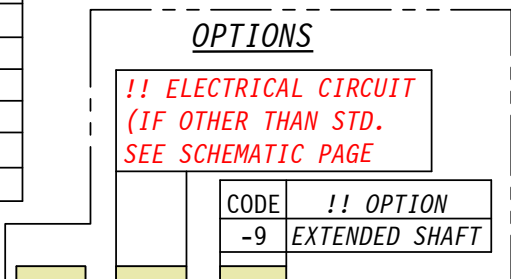
CODE	FREQ RANGE (GHz)
1	0-1
2	0-2.5
3	2.0-3.0
4	3.7-4.2
5	5.9-6.5
6	7.2-7.8
7	7.9-8.4
5B	0-6.5

NOTE: 'C2' LOCATION MUST BE USED FOR LARGER CIRCUITS.

SPECIFICATIONS

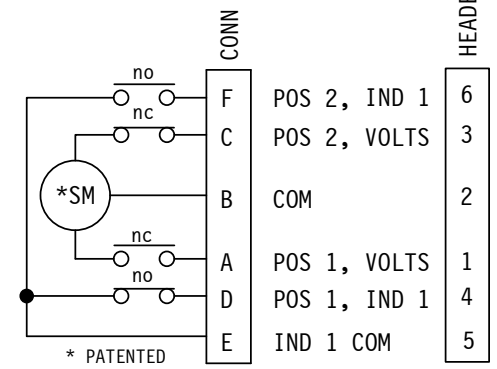
FREQ RANGE (GHz)	0 - 1	1 - 2	2-6.5	6.5-8.4
VSWR	1.1	1.15	1.25	1.30
INS. LOSS db MAX	0.05	0.10	0.25	0.30
ISOLATION db MIN	80	70	60	60
R-F POWER	100 WATTS, MAX			
R-F CONTACTS	BREAK-BEFORE-MAKE CONTACTS.			
LIFE	100,000 OPERATIONS.			
DRIVE	LATCHING, SECTOR MOTOR.			
SWITCHING TIME	50 mSEC, NOM			
MARKING	PORTS NUMBERED AS SHOWN ABOVE.			
FINISH	SATIN BLACK ENAMEL.			

OPTIONS



PART NO. EX.: SM7N-C4H1M-9

TYPE 'N' COAXIAL SW., +12 VDC, FREQ RANGE 3.7 TO 4.2 GHz, HEADER at H1 LOCATION, METRIC THREADS, EXTENDED SHAFT WITH KNOB.



STD. ELECTRICAL CKT. Shown in Position 1 ONE FORM C

PART NO.	SM7N-SERIES	SM7N-CODE	LOCATION 1	CONN.	C1
			HEADER	H1	
			LOCATION 2	CONN.	C2
			HEADER	H2	
			RECEPTACLE CHOICE		CODE

ZONE	LTR	DESCRIPTION	APV	DATE
	A	RELEASED.	RR	10/5/06
REVISIONS				

TOLERANCES:	DRAWN	AC	10/5/06
DECIMALS	CHECKED		
2 PLACES: +/- .03	APVD	RR	10/5/06
3 PLACES: +/- .010	APVD		
FRACTIONS: +/- 1/32			
ANGLES: +/- 1/2 deg.			

SECTOR MICROWAVE IND., INC.			
TYPE 'N' COAXIAL SWITCH, STANDARD SERIES			
SIZE L	CAGE CODE 53263	SM7N-xxx SERIES	
SCALE: NONE	UNIT WT.	SHEET 1 OF 1	REV. A

WEB SITE: www.sectormicrowave.com