



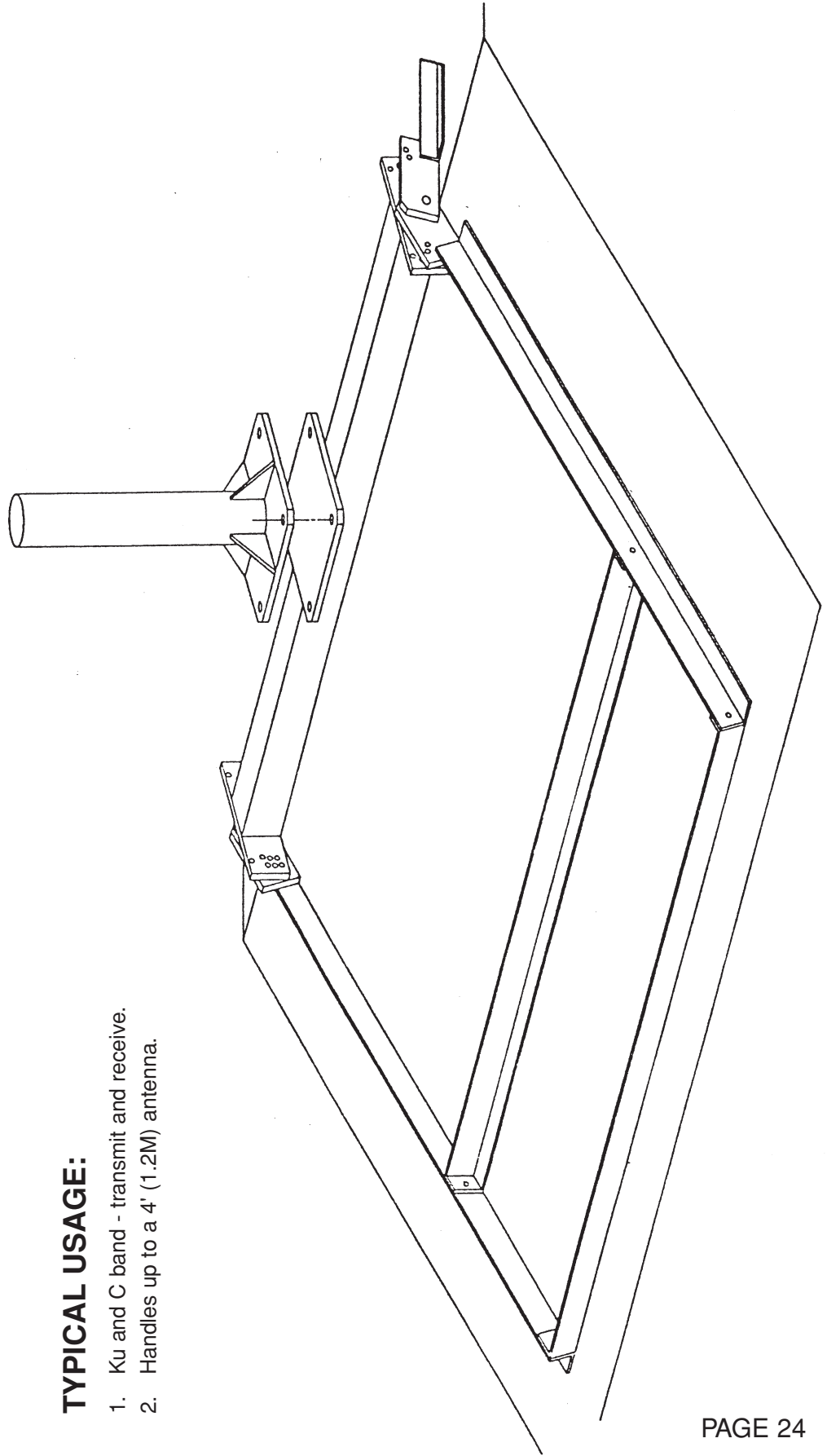
## BAIRD Non-Penetrating and Penetrating Support System **S-UNIVERSAL RIDGEMOUNT**

Engineered for durability, simplicity and flexibility.

1. Sets up fast.
2. Easily adjusted to roof pitch.
3. Hot dip galvanized for superior protection.

### **TYPICAL USAGE:**

1. Ku and C band - transmit and receive.
2. Handles up to a 4' (1.2M) antenna.





## PRODUCT SPECIFICATIONS

### MODEL: S-UNIVERSAL RIDGEMOUNT (S-URM)

Non-Penetrating, ridgemount or flat roof antenna supporting system.

#### TYPICAL USAGE

1. Handles up to a 4' (1.2M) antenna.
2. Ku & C band - transmit and receive.
3. Footprint - 6.4' x 8.4' = 53.7 sq.ft.
4. The mount adjusts to fit 2/12 through 7/12 roof pitches. The mount can also be locked into the flat position.

Finish - Hot dip galvanized  
Mast Diameter - 4-1/2" O.D. max.  
Mast Height - 2' max. (most cases)

Ballast required will be recommended based on antenna diameter, type and survival requirements.

It is the customer's responsibility to see that all applicable codes are satisfied. It is suggested that a structural engineer review the application of this product.

An engineering report is available to assist with determining the proper amount of ballast.

A pad can be supplied to isolate the mount from the roof surface.

Under extreme wind conditions the mount should be tethered with cable.

