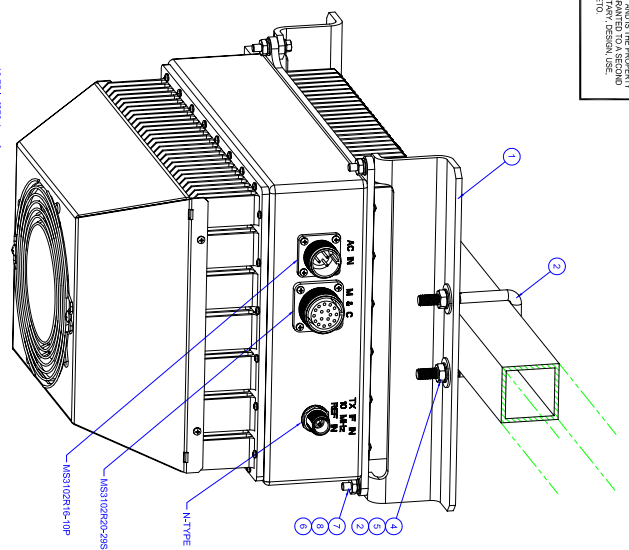


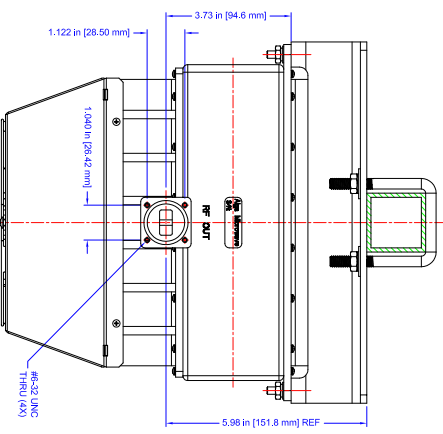
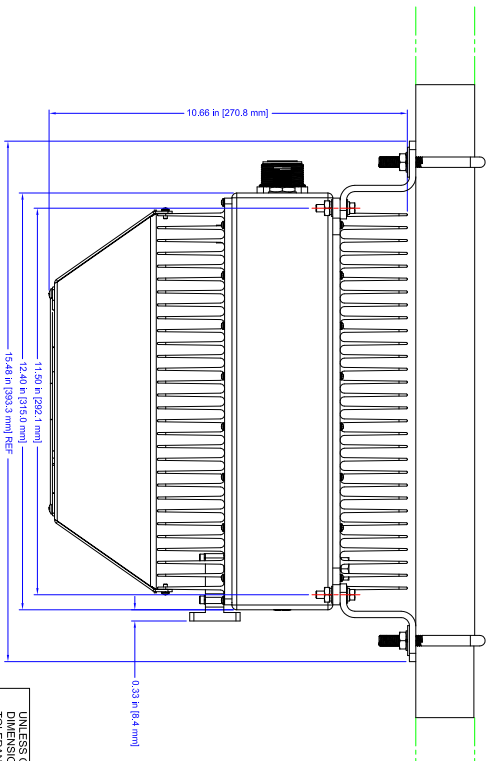
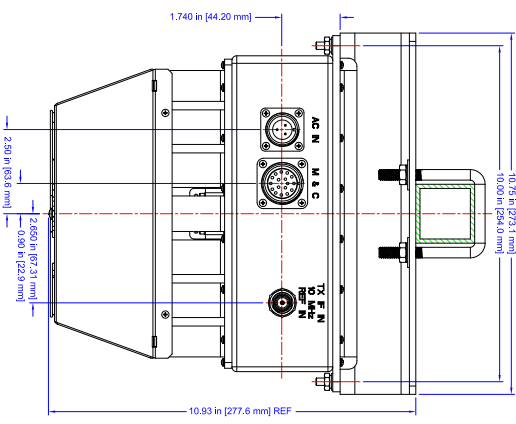
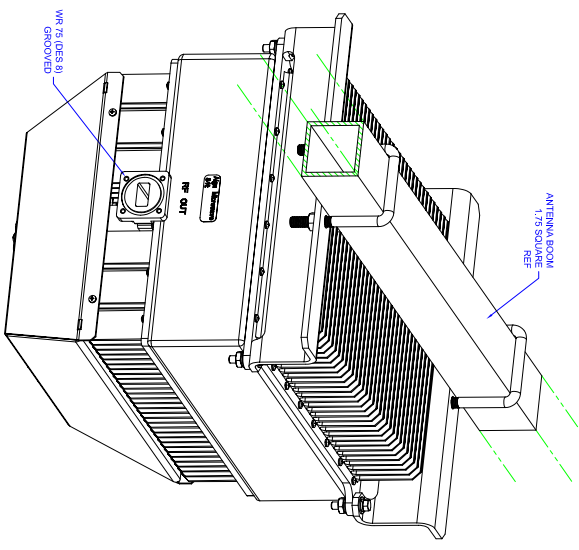
THIS INFORMATION DISCLOSED HEREIN WAS ORIGINATED BY AND IS THE PROPERTY OF ALGA MICROWAVE AND EXCEPT FOR USES EXPRESSLY GRANTED TO A SECOND PARTY, IT IS NOT TO BE DISCLOSED, REPRODUCED, COPIED, OR IN ANY MANNER MADE AVAILABLE TO ANY OTHER PARTY WITHOUT THE EXPRESS WRITTEN PERMISSION OF ALGA MICROWAVE. THIS DOES NOT APPLY TO ANY VENDOR PARTS.

4



**MOUNTING KIT**

ITEM	P/N	QTY	DESCRIPTION
1	7512020-8	2	ANTENNA BOOM SOCKET
2	6090026	2	U BOLT 05/16-18 UNIC HEX NUT
3	6090031	4	05/16-18 UNIC HEX NUT
4	6090032	4	05/16 FLAT WASHER
5	6090033	4	05/16 LOCK WASHER
6	6090007	4	HEX BOLT #12x4 UNIC 1" LONG SS
7	6090008	8	#12 FLAT WASHER
8	6090009	4	#12 LOCK WASHER
9	6090010	8	HEX NUT #12x4 UNIC



SEE SPECIFICATION TS-ALT-X-141446-70-02.  
SPECIFICATION IS SUBJECT TO CHANGE WITHOUT NOTICE

3

PART NO.	NEXT QTY REQD	FINAL QTY	APPLICATION

UNLESS OTHERWISE SPECIFIED  
DIMENSIONS ARE IN INCHES  
TOLERANCES ARE:  
DECIMALS .X2, .01  
FRACTIONS .XX, .XXX, .XXX, .005  
DO NOT SCALE DRAWING

ALGA MICROWAVE  
2109, St-Regis, Dollard Des Ormesux, QC H9B 2M9, CANADA  
Tel: 514-683-6113; FAX 514-683-3312; www.alga.ca

40W KU-BAND ODU TRANSMITTER  
OUTLINE DRAWING

SIZE	CAGE CODE	DWG NO.	REV
B		OD-ALT-X-141446-70-02	B

SCALE	SHEET	1 OF 1
0.25		

2

REVISIONS			
REV#	E.C.R.	DATE	APPROVED
A	Initial Release	MAY 2, 2006	M.B.
B	ECN-08-0041	JUL 17, 2006	M.B.

1



TX IF IN  
10MHz REF IN



AC IN

M.C.