



C-band 12W Block Transmitter

Model No. NJAL5964-12

< Features >

- * No "Cooling Fan" Solution
- * High Efficiency Output Power (12W minimum @P1dB over temperature)
- * 110/220 VAC Autoranging Operation

<Line-Up>

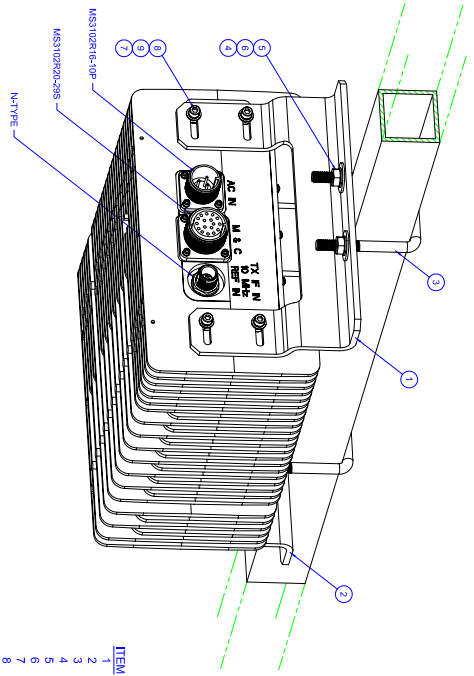
Model No.	RF Frequency	Local Frequency	IF Frequency	Output Power	Connector
NJAL5964-12	5.850 to 6.425 GHz	4.90 GHz	950 to 1,525 MHz	12W Linear	N-Type

< Specifications >

Item	Specifications
Output Interface	Waveguide, CPR137G
Output Power @ 1dB G.C.P.	+41 dBm typ. over temp.
Linear Gain	70 dB nominal
Requirement for External Reference (Frequency)	10 MHz (sine-wave)
(Input Power)	-5 to +5 dBm @ Input port
(Phase Noise)	-135 dBc/Hz max. @ 100 Hz
	-140 dBc/Hz max. @ 1 kHz
	-143 dBc/Hz max. @ 10 kHz
L.O. Phase Noise	-60 dBc/Hz max. @ 100 Hz
	-70 dBc/Hz max. @ 1 kHz
	-80 dBc/Hz max. @ 10 kHz
	-90 dBc/Hz max. @ 100 kHz
Input V.S.W.R.	2 : 1 max
Output V.S.W.R.	2 : 1 max.
AC Power Requirement	110/220 VAC
	150 W max.
Mute	Shut off the HPA in case of L.O. unlocked
Input Interface	N-type, female (50 ohms)
Dimension	12.1" x 9.2" x 5.95"
	(300 mm x 230mm x 150mm)
Weight	22 lbs max. (10 kg)
Temperature Range (ambient)	-40 to +55 C (operating)
	-40 to +75 C (storage)

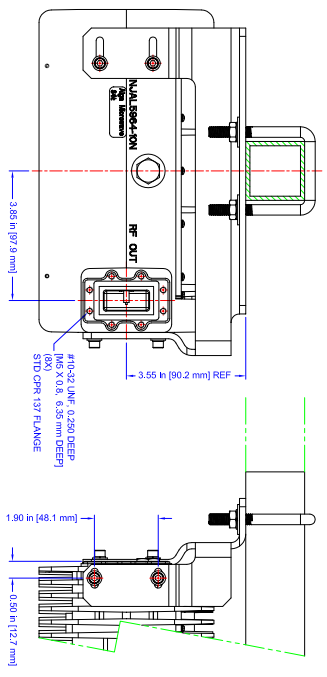
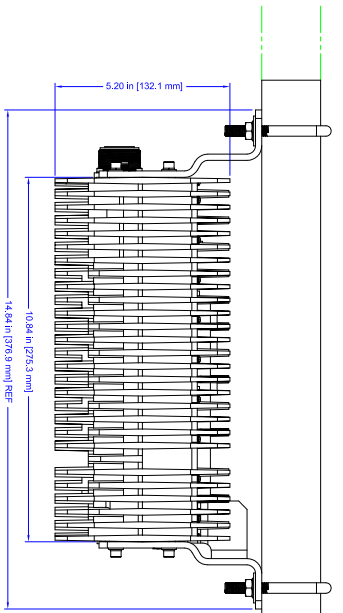
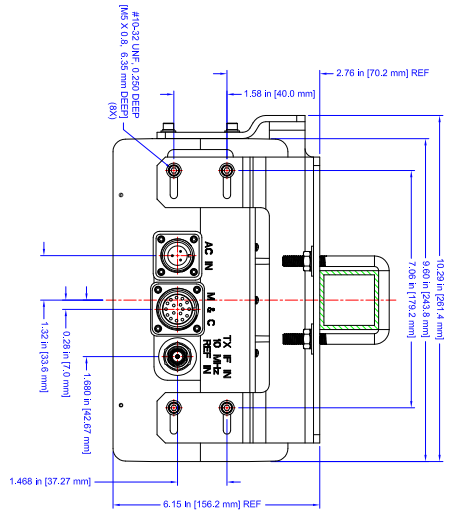
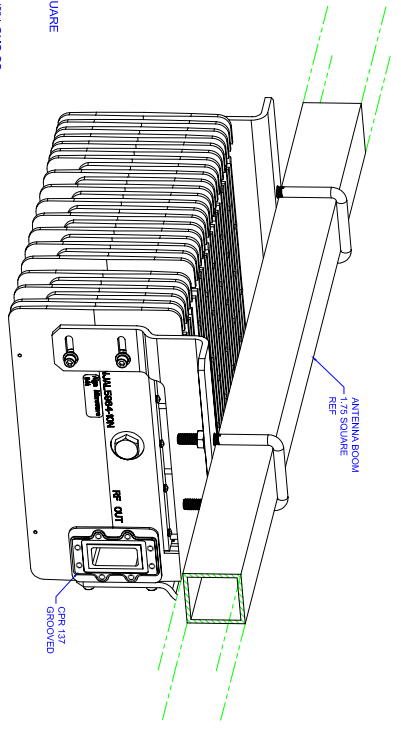
Specification is subject to change without notice.

THIS INFORMATION IS UNCLASSIFIED AND IS BEING RELEASED AS A SECONDARY SOURCE. IT IS NOT TO BE REPRODUCED OR TRANSMITTED IN ANY FORM OR BY ANY MEANS, ELECTRONIC OR MECHANICAL, INCLUDING PHOTOCOPYING, RECORDING, OR BY ANY INFORMATION STORAGE AND RETRIEVAL SYSTEMS, WITHOUT PERMISSION IN WRITING FROM THE NATIONAL SECURITY AGENCY.



MOUNTING KIT

ITEM	P/N	QTY	DESCRIPTION
1	7500028-01	1	MOUNTING BRACKET
2	7500028-02	2	U-BOLT 05/16-18 UNC SQUARE
3	6090028	4	05/16-18 UNC-HEX NUT
4	6090031	4	05/16 FLAT WASHER
5	6090032	4	05/16 LOCK WASHER
6	6090033	4	05/16 FLAT WASHER
7	6011132-08	4	CAP SCREW #10-32-UNF-1/2" LONG SS
8	610010	4	#10 FLAT WASHER
9	610011	4	#10 LOCK WASHER



SEE SPECIFICATION TS-NJAL5964-12N.
SPECIFICATION IS SUBJECT TO CHANGE WITHOUT NOTICE

PART NO.	NEXT QTY RECD	FINAL PER ASSY	NEXT ASSY APPLICATION	USED ON	APPROVED	DATE	SCALE	CAGE CODE	DWG NO.	REV
					AY	JUN 29, 2005	1:4	B	OD-NJAL5964-12N	0B

UNLESS OTHERWISE SPECIFIED	TOLERANCES ARE IN INCHES	DEGREES
XX.XX	±0.01	±0.30
XX.XXX	±0.001	
XX.XXXX	±0.0005	

TITLE	DATE	APPROVED
12W C-BAND ODU TRANSMITTER OUTLINE DRAWING	NOV 29, 2005	VT
	JUN 29, 2005	AY
	JUN 29, 2005	AY

REVISIONS	REV#	DATE	APPROVED
Initial Release	0A	NOV 29, 2005	VT
ECN-06-010	0B	MAR 23, 2010	M.B.

ALGA MICROWAVE
2109, St-Basile, Dollard Des Ormeaux, QC H9B 2M9, CANADA
Tel: 514-683-6113; FAX: 514-683-3312; www.alga.ca

