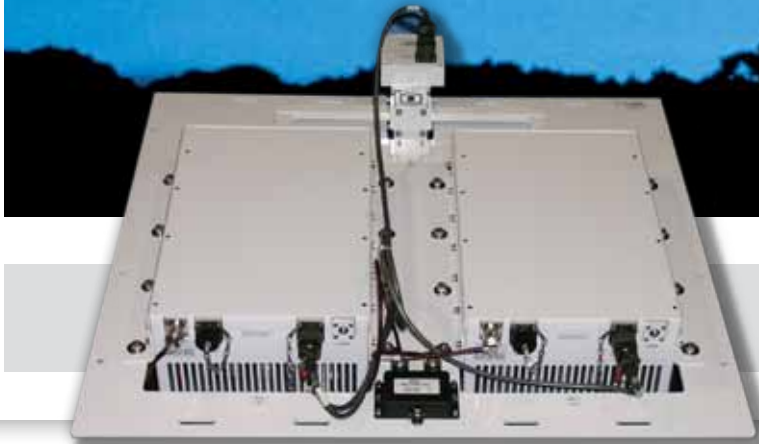


REDUNDANCY EQUIPMENT



SATELLITE COMMUNICATIONS

THE MITECVSAT REDUNDANT SYSTEM

The MITECVSAT Redundant System for the Block-Upconverter (BUC) provides a highly reliable redundancy switching capability for outdoor BUCs.

MITECVSAT Redundancy Switching equipment performs switching operations when a fault is detected at either BUC in active mode. The switchover to an operational unit, in standby mode, can be automatic or manually controlled by the operator.

The MITECVSAT Redundant System also includes remote monitoring and control functions via RS485, RS232 or Ethernet interface. With the advanced customer interface and HTTP embedded web page, the operator is able to monitor and control the BUC and the System Redundancy from a web browser.



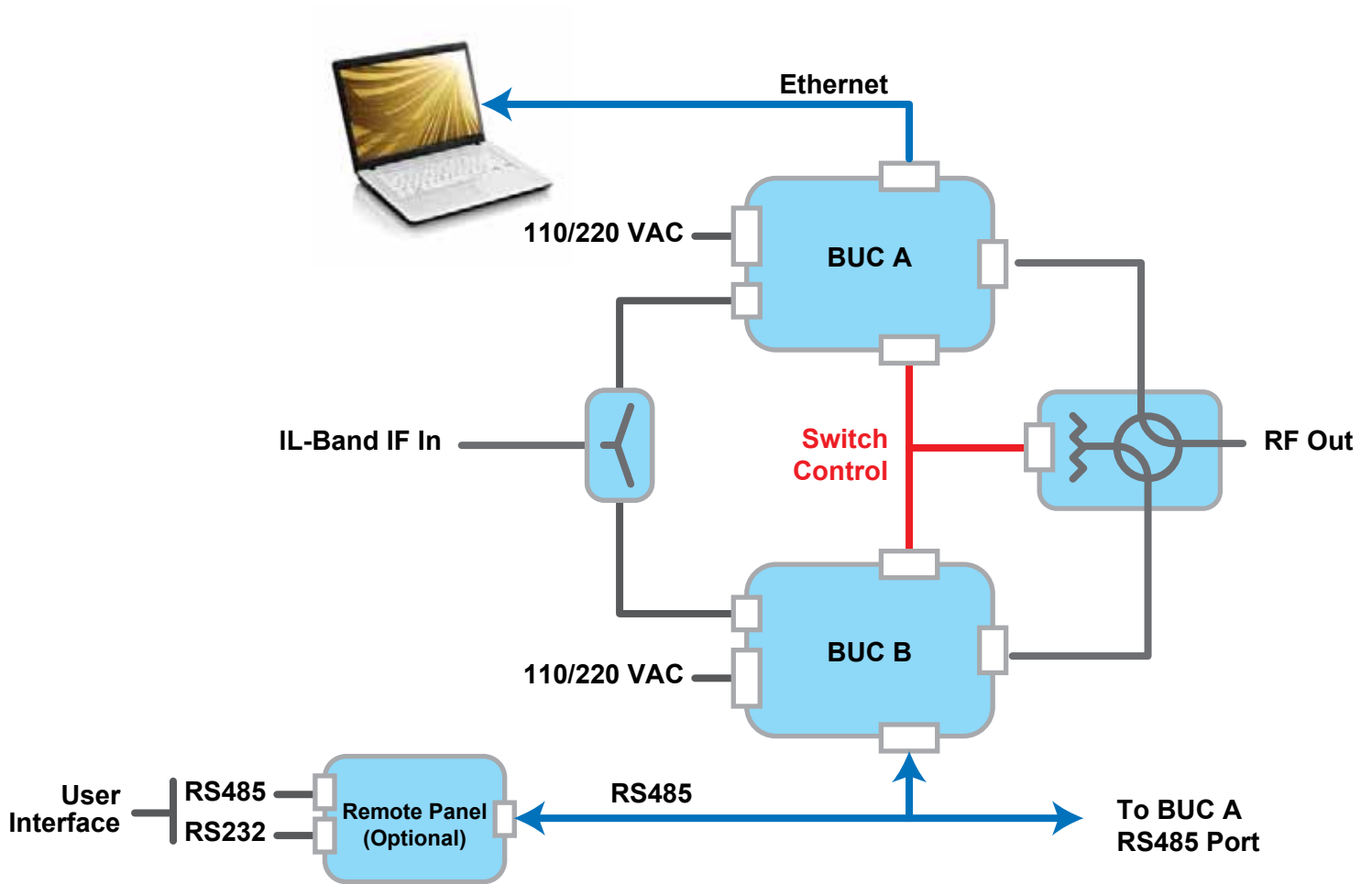
KEY FEATURES

- 1:1 switching logic built into the BUC eliminating expensive external controller
- Fully Assembled for easy field installation
- Telemetry facilities for for the BUCs and the Redundancy system available through the customer interface and the HTTP embedded web page
- HTTP Hosting
- SNMP
- RS485, RS232, Ethernet, Dry-Contacts M&C interface

YOUR DAILY EXPERIENCE POWERED BY MITECVSAT

SALES@MITECVSAT.COM | WWW.MITECVSAT.COM | 1-514-694-8666

THE MITEC REDUNDANT SYSTEM



YOUR DAILY EXPERIENCE POWERED BY MITEC**VSAT**

SALES@MITECVSAT.COM | WWW.MITECVSAT.COM | 1-514-694-8666

Rev 2 02/13