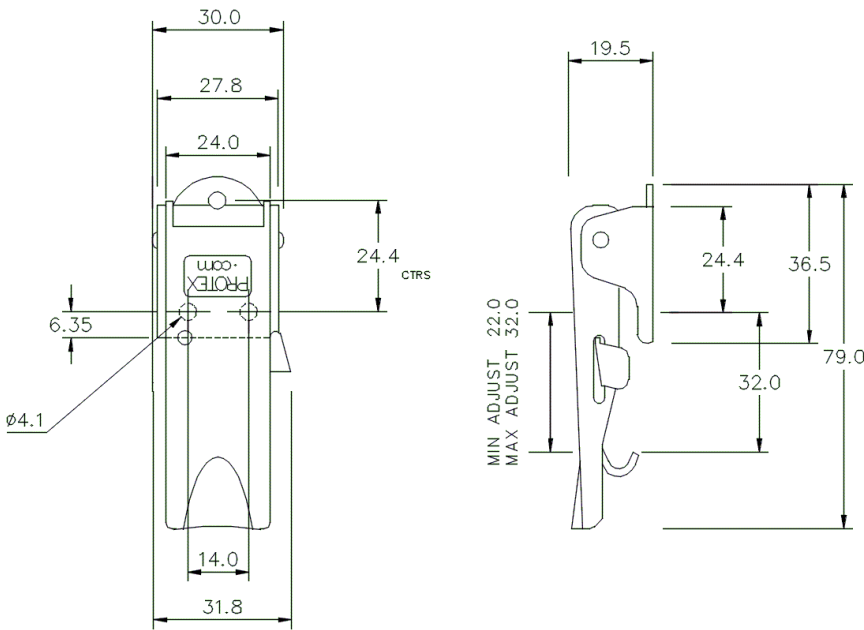


SPECIFICATIONS

MATERIAL	FINISH	HOLE DIA	WEIGHT	PADLOCKABLE	SAFETY	ADJUSTMENT*	KEYLOCK	STRENGTH/ UTS**
STAINLESS STEEL 304	NATURAL	4.1 MM	0.0678 KG	No	Yes	10 MM	No	90 KG

*ADJUSTMENT – Provided by internal screwed spindle. Adjustment allows for fitting tolerance and tension adjustment. If the above table shows '0' there is no adjustment available on this fastener.

**STRENGTH /UTS - The figures for the ultimate tensile strength (UTS) have been determined by tensile tests in a normal working load direction on standard products and do not include any safety factors. A maximum load rate of 30mm per minute was applied throughout the tests. The UTS figures are shown in Kilograms and for a safe working load we suggest that approximately half of the ultimate strength figure is used.



CATCHPLATES & ACCESSORIES

01-5000SS
02-633SS

VISIT PRODUCT WEBPAGE FOR MORE INFORMATION

Disclaimer: We reserve the right to change product specifications without prior warning or notice. Up to date specifications for this product will be shown on our website. For our full terms and conditions please visit www.protex.com

PRODUCT DOWNLOADS
available from www.protex.com



PDF Data Sheets



3D Models



2D Cad Drawings

